

# GE

## Energy Connections

# Model 76

## Current Transformer Window Diameter 3.00"

### Application

With ammeters, wattmeters, and cross current compensation.

### Frequency

50-400 Hz.

### Insulation Level

600 Volt, 10 kV BIL full wave.

Flexible leads are UL 1015, 105 °C, CSA approved, #16 AWG, 24" long.

Non-standard, lead length can be specified.

Terminals are brass studs No. 8-32 with one flatwasher, lockwasher and regular nut.

SFT case styles also available as SFL with leads.

Approximate weight 1.5 lbs.



Models 76RBT and 76RL Shown



### Data Table: Model 76

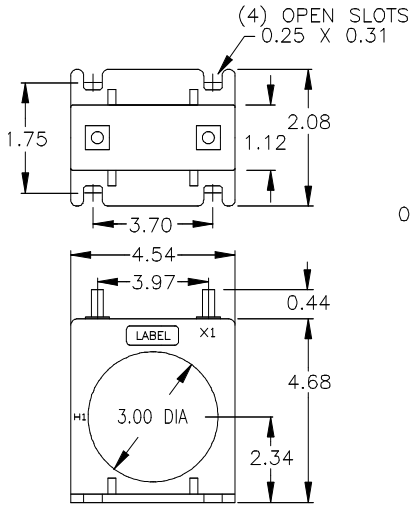
Catalog Number	Current Ratio	Accuracy at 60 Hz	Burden VA at 60 Hz
76**–201	200:5	± 1%	5.0
76**–251	250:5	± 1%	5.0
76**–301	300:5	± 1%	6.0
76**–401	400:5	± 1%	10.0
76**–501	500:5	± 1%	10.0
76**–601	600:5	± 1%	10.0
76**–751	750:5	± 1%	10.0
76**–801	800:5	± 1%	12.5
76**–102	1000:5	± 1%	10.0
76**–122	1200:5	± 1%	10.0
76**–152	1500:5	± 1%	12.5
76**–162	1600:5	± 1%	12.5
76**–202	2000:5	± 1%	15.0

\*\*Note: When ordering, prefix Cat No. with model designation required i.e. 76RL–201, 76RBL–251, etc.

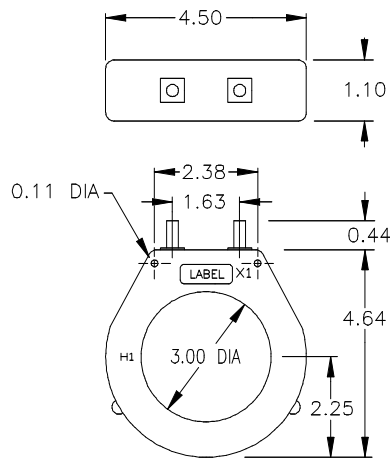


# Model 76

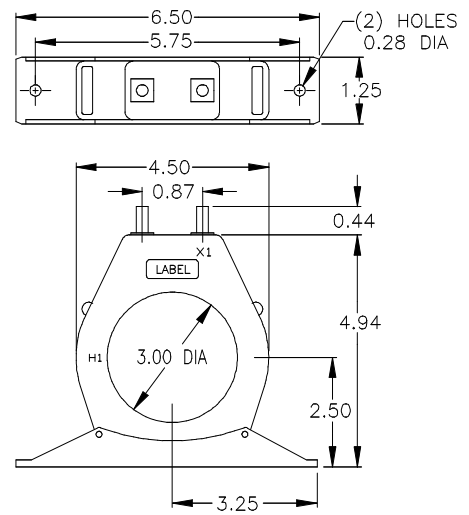
**Model 76SFT**



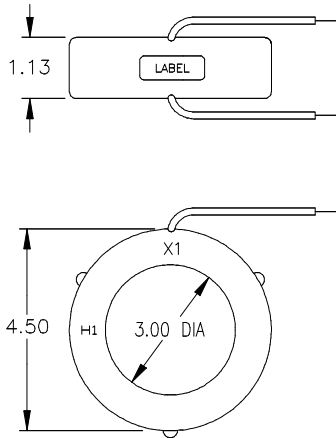
**Model 76RT**



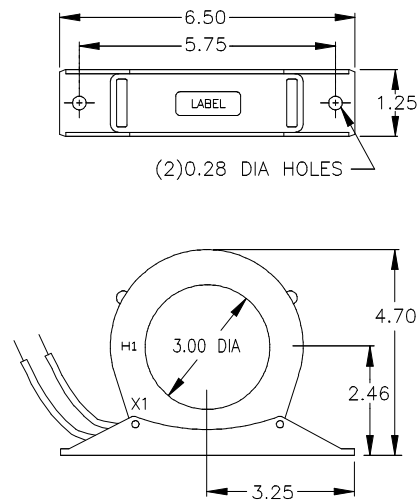
**Model 76RBT**



**Model 76RL**



**Model 76RBL**



Grid-AIS-L4-ITL\_Model\_76-1553-2017\_05-EN. © Copyright 2017. General Electric Company and Instrument Transformers LLC reserve the right to change specifications of described products at any time without notice and without obligation to notify any person of such changes.

